

SMT60 - POWERED BY TAURUS 60

The SMT60 is the answer for short-term generating capacity which is both economical and environmentally friendly. The SMT60 is designed for projects where fast setup and reliable operation are critical. This solution is based on the 7700 hp (5.7 MWe) Taurus 60 gas turbine generator set – a proven industry standard.

COMPLETE SYSTEMS

- Complete Mobile Power Plant
- Wide Fuel Composition Flexibility
- Low Emissions SoLoNOx™ Fuel System
- Low Profile Design to Minimize Installed Height

STANDARD FEATURES

- 13.8KV (60 Hz) Generator (50 Hz Can Be Accommodated Upon Request)
- Highway Transportable
- Compact Footprint to Minimize Space
- Hydraulic Leveling System
- Quick Set Up, Park, Plug & Play

OPERATIONAL FEATURES

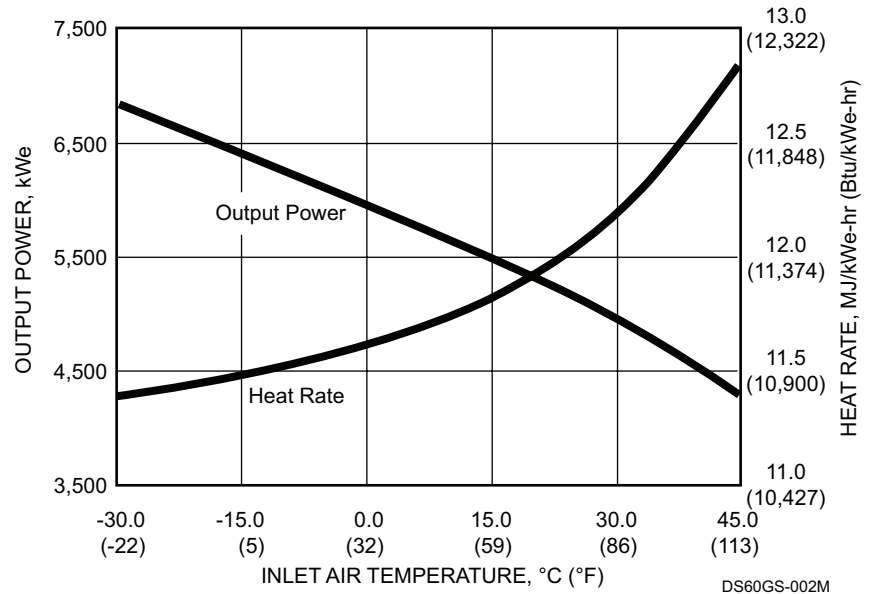
- Single Trailer Design
- Complete Electrical Equipment Compartment (EEC) with HVAC
- Utility Grade Switchgear and Protective Relay Module
- Low Voltage Motor Control Center (MCC) for Power Plant
- Low Voltage Step-Down Transformer for SMT60 Auxiliary Loads
- Turbine and Switchgear Battery and Charger
- Neutral Grounding Resistor (NGR)
- Dual Fuel Capability (Natural Gas, CNG, LNG or No. 2 Diesel)
- Range of Control System Options for Remote Operation
- KVAR Control for Excellent Reactive Power Control Capability
- Lockable Low Speed Coupling, Minimizing Alignments
- No Concrete Foundation Required
- Easy to Permit

PERFORMANCE*

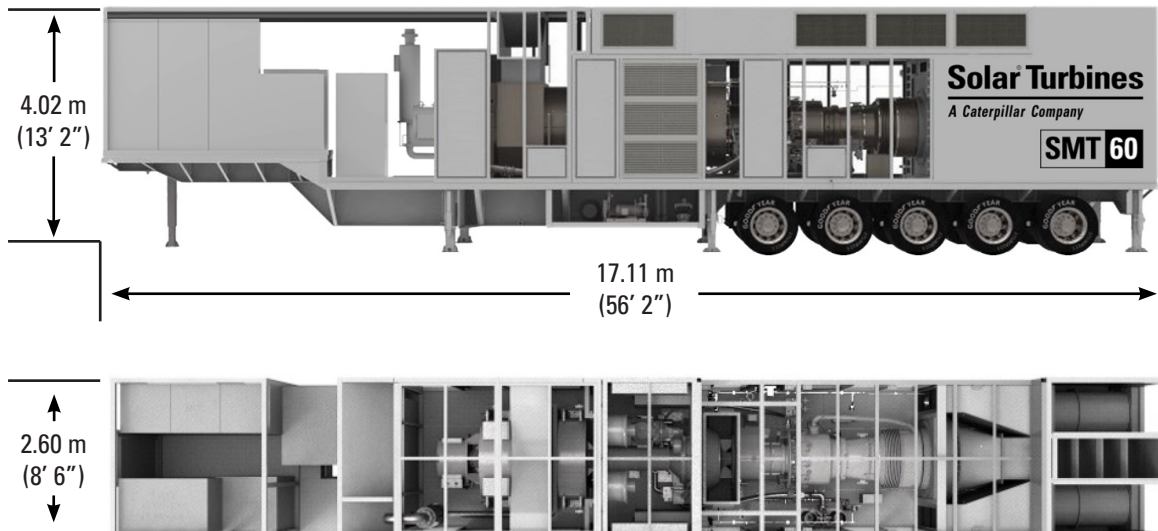
Output Power	5670 kWe
Heat Rate	11 430 kJ/kWe-hr (10,830 Btu/kWe-hr)

*ISO: 15°C (59°F), sea level

AVAILABLE POWER*



PACKAGE LAYOUT AND DIMENSIONS



Weight: 50 330 kg (110,960 lbs)

Additional Information:

Web: www.solarturbines.com

Email: infocorp@solarturbines.com

Phone: +1-619-544-5352